



# APS-500

## AIR PURIFICATION SYSTEM

INDOOR AIR QUALITY



■ DEFICIENT INDOOR AIR QUALITY

Each indoor environment is susceptible to deficient indoor air quality. Known in the general population as "sick building syndrome", deficient indoor air quality refers to an indoor environment that negatively affects the way people feel.

Deficient indoor air quality in industrial, institutional and commercial applications is caused by inadequate ventilation, indoor contaminants and biological contamination.

■ THE SOLUTION: THE A.P.S.-500

1. Multi-stage filtration for customized solutions

Circul-Aire's advanced technology of gas phase and particulate filtration offers maximum contaminant control efficiency. Certain applications have several contaminants which are more complex to eliminate. With multi-stage filtration, particulate filters, HEPA filters and MULTI-MIX® media are combined in various sequences to

efficiently remove contaminants. Up to five stages of filtration can be integrated to meet requirements of each specific application.

2. Compact unit easily integrated in a dedicated space

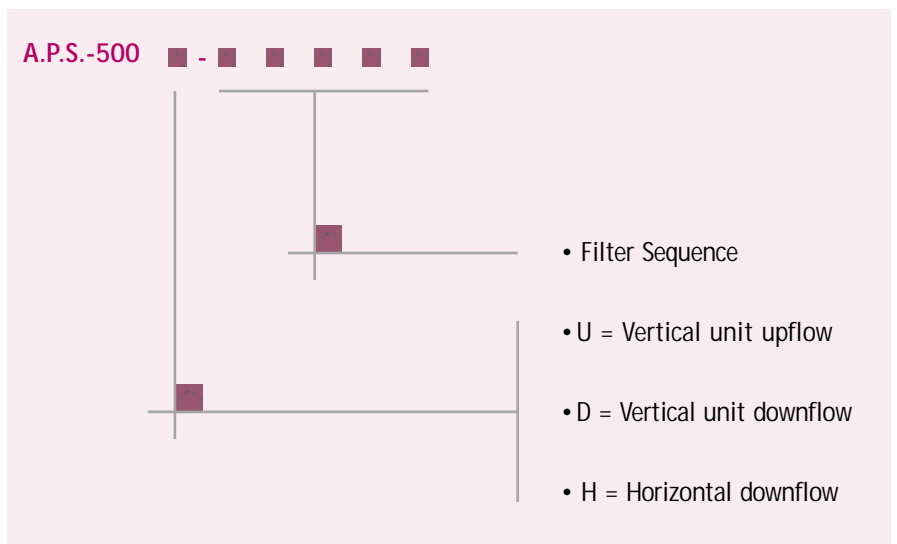
The A.P.S.-500 represents a high performance system which integrates rugged component materials used by Circul-Aire in the industrial sector. This filtration technology has been adapted and packaged into a compact commercial unit to easily integrate within any indoor environment. Available in vertical or horizontal configurations, the A.P.S.-500 can be installed where space requirements are restricted.

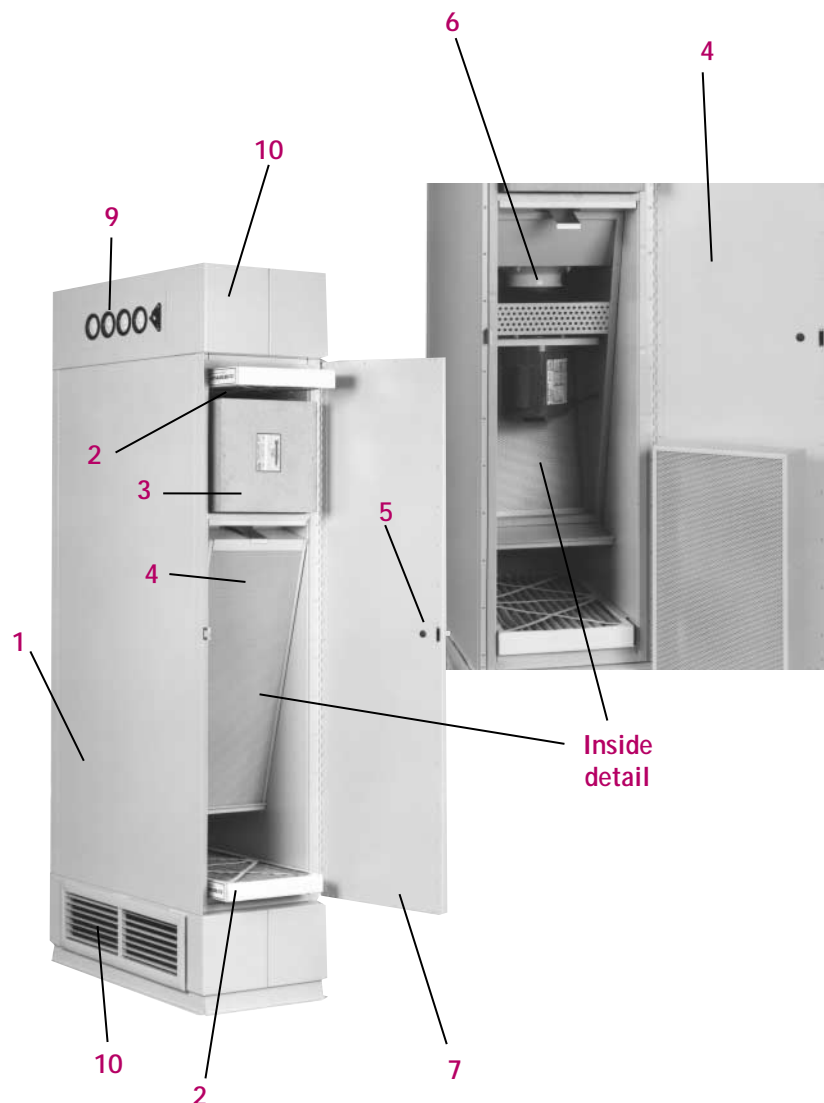
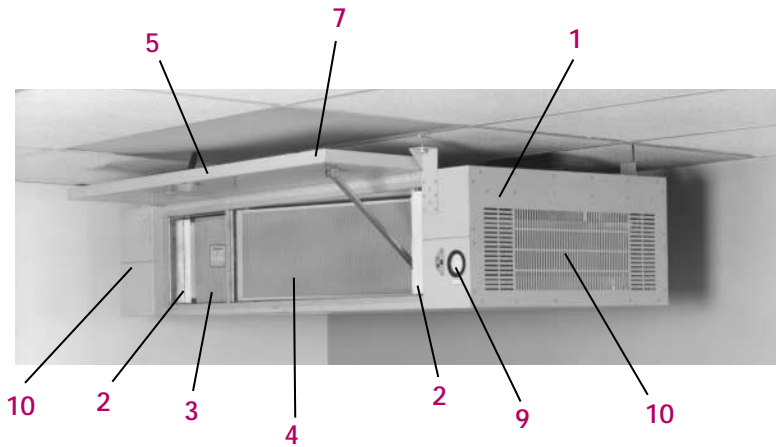
3. Low maintenance unit

Unlike other air purifiers, the A.P.S.-500 has significantly more media to effectively remove more contaminant loads and reduce maintenance frequency.



■ A.P.S.-500 SELECTION CODE



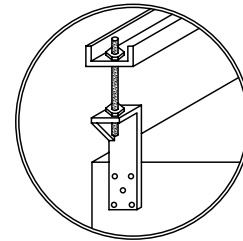
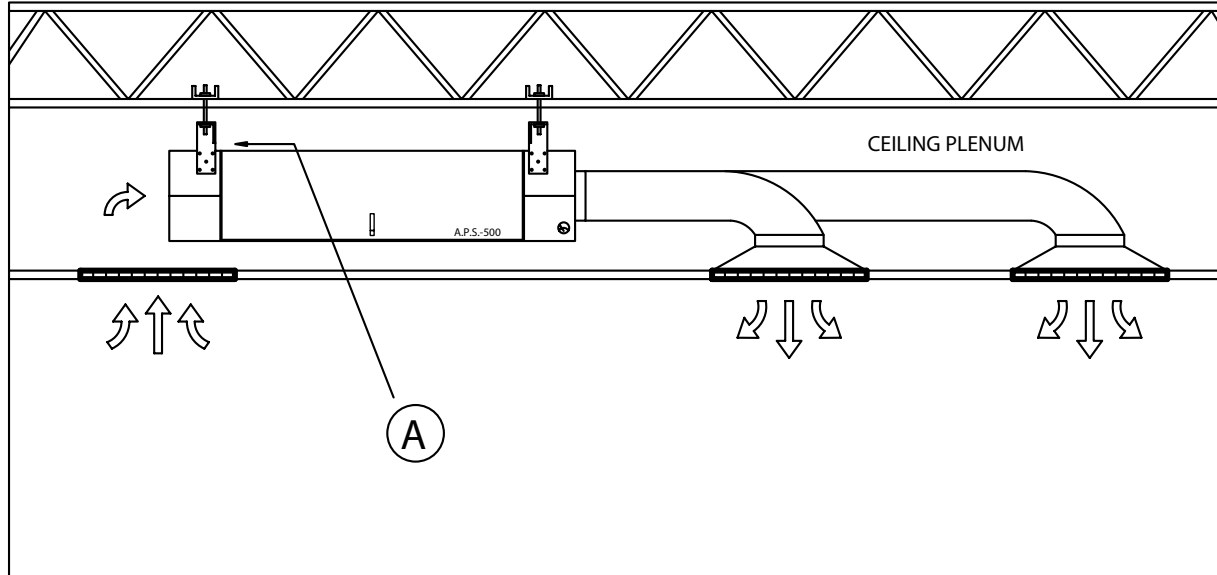


### ■ SPECIAL FEATURES

1. Insulated double-wall panel construction. Corrosion resistant polyurethane enamel paint.
2. 30% efficiency prefilter for larger particulates.
3. Up to 99.9% efficiency HEPA filter.
4. Two MULTI-MIX® media stages for odour and gas control.
5. Quick release latches with positive seal mechanism.
6. Direct drive backward inclined impeller.
7. Two full service access doors with piano hinges located on each side of the unit.
8. Panel design and closed cell gaskets maintain leakage to less than 1% of total air flow.
9. One gauge monitors the complete filter section. Individual filter gauges available.
10. Supply and return double deflection grills.

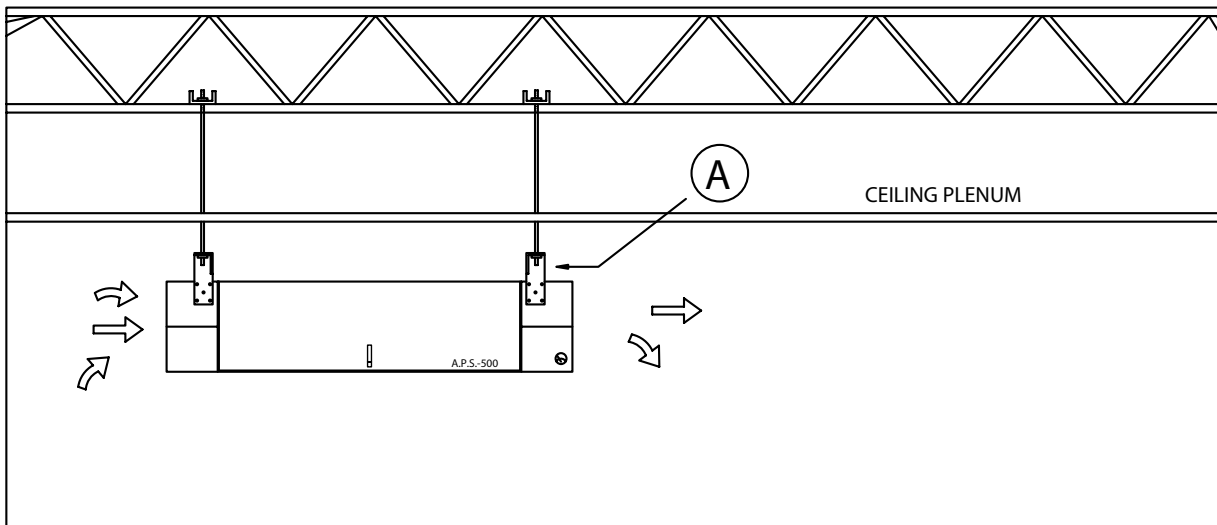
ABOVE THE CEILING

RECOMMENDED INSTALLATION ARRANGEMENTS  
FOR APS-400 & APS-500 HORIZONTAL



A

BELOW THE CEILING



SELECTION GUIDELINES		
APPLICATIONS	CONTAMINANTS	FILTER SEQUENCE
AIRLINE/BUS TERMINALS	HYDROCARBONS, NITROGEN OXIDES, CARBON OXIDES, SULFUR COMPOUNDS	F3/M3/M1/F3/F9
ARCHIVES/LIBRARIES	MULTIPLE HYDROCARBONS, FORMALDEHYDE, SO <sub>2</sub> , NO <sub>2</sub>	F3/M3/M1/F3/F5
ART GALLERIES/MUSEUMS/EXHIBITION HALLS	SULFUR DIOXIDE, NITROGEN OXIDES, OZONES, CHLORIDES, PARTICULATES	F3/M9/M1/F3/F5
AUDITORIUMS	MULTIPLE ORGANICS & INORGANICS, CIGARETTE SMOKE	F3/H9/M3/M1/F3
AUTOPSY ROOMS/MORGUES	FORMALDEHYDE	F3/M1/M1/F3
BARS/BRASSERIES/CASINOS/LOUNGES	CIGARETTE SMOKE, BODY ODORS	F3/H9/M3/M1/F3
BEAUTY SALONS/BARBER SHOPS	MULTIPLE ORGANICS & INORGANICS	F3/M3/M9/F3
BOARDROOMS/OFFICE BUILDINGS	CIGARETTE SMOKE, OZONE, FORMALDEHYDE	F3/H9/M3/M1/F3
CAFETERIAS/RESTAURANTS	CIGARETTE SMOKE, KITCHEN EXHAUST, FOOD ODORS	F3/M3/M3/F3/F9
CLASSROOMS	MULTIPLE ORGANICS & INORGANICS	F3/M3/M9/F3
DARKROOMS/PHOTO STORES/PHOTO STUDIOS	MULTIPLE ORGANICS & INORGANICS, HYDROCARBONS	F3/M3/M9/F3
DAYCARE CENTERS/NURSERIES	MULTIPLE ORGANICS & INORGANICS, DISINFECTANTS, CLEANING AGENTS	F3/M3/M9/F3/F9
DOCTORS' OFFICES/CLINICS	MULTIPLE ORGANICS & INORGANICS, DISINFECTANTS, CLEANING AGENTS	F3/M3/M9/F3/F9
FUNERAL HOMES/EMBALMING ROOMS	CIGARETTE SMOKE, BODY ODORS, FORMALDEHYDE, MULTIPLE ORGANICS	F3/H9/M3/M1/F3
GERIATRICS/INSTITUTIONS (PSYCHIATRY)	BODY ODORS, URINE, DISINFECTANTS, CLEANING AGENTS	F3/M9/M9/F3/F9
LABORATORIES/RESEARCH CENTERS	MULTIPLE ORGANICS & INORGANICS FROM SOLVENT, CHEMICAL SOLUTIONS	F3/M3/M9/F3/F9
PENAL INSTITUTIONS	CIGARETTE SMOKE, BODY ODORS	F3/H9/M3/M1/F3
PRINTING SHOPS/ART STUDIOS	HYDROCARBONS, AMMONIAC	F3/M3/M7/F3
RENOVATION AREAS/PAINTED ROOMS	PAINT, DUST, SOLVENTS	F3/M3/M3/F3
SENIOR CITIZENS' HOMES	CIGARETTE SMOKE, BODY ODORS	F3/H9/M3/M1/F3
SHOPPING CENTERS/STORES	MULTIPLE ORGANICS & INORGANICS, CIGARETTE SMOKE	F3/H9/M3/M1/F3
SMOKING AREAS/WAITING ROOMS	CIGARETTE SMOKE, BODY ODORS	F3/H9/M3/M1/F3
SPORT FACILITIES/ATHLETIC CLUBS/LOCKER ROOMS	BODY ODORS, VALERIC ACID	F3/H9/M3/M1/F3
VETERINARY HOSPITALS/PET SHOPS	ANIMAL ODORS, URINE, DISINFECTANTS, CLEANING AGENTS	F3/M3/M7/F3/F9

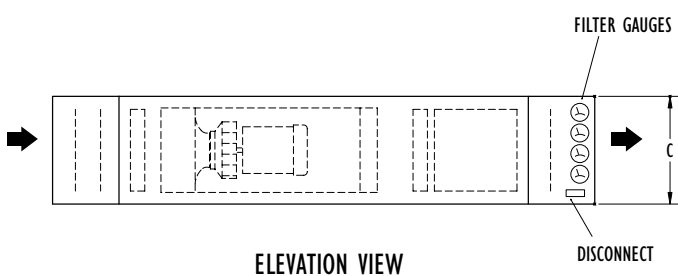
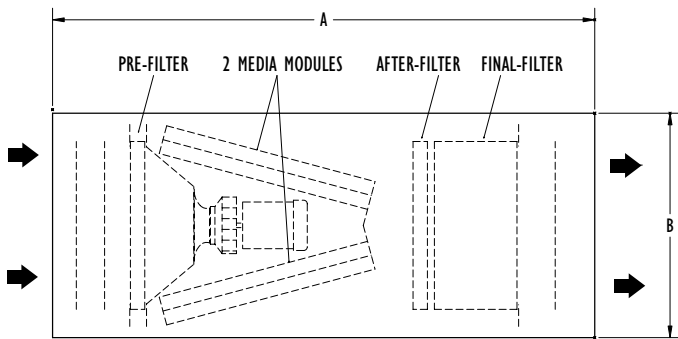
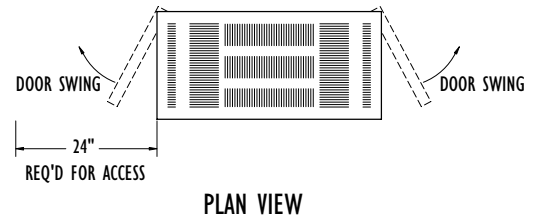
LEGEND FOR FILTERS			
F3	30% EFFICIENCY ASHRAE FILTER	H9	99% EFFICIENCY HEPA FILTER
F6*	60% EFFICIENCY ASHRAE FILTER	M1	2 MM-1000 MULTI-MIX® MEDIA MODULES
F9	90% EFFICIENCY ASHRAE FILTER	M3	2 MM-3000 MULTI-MIX® MEDIA MODULES
F5	95% EFFICIENCY ASHRAE FILTER	M7	2 MM-7000 MULTI-MIX® MEDIA MODULES
H5*	95% EFFICIENCY HEPA FILTER	M9	2 MM-9000 MULTI-MIX® MEDIA MODULES

\*Used for applications other than the listed.

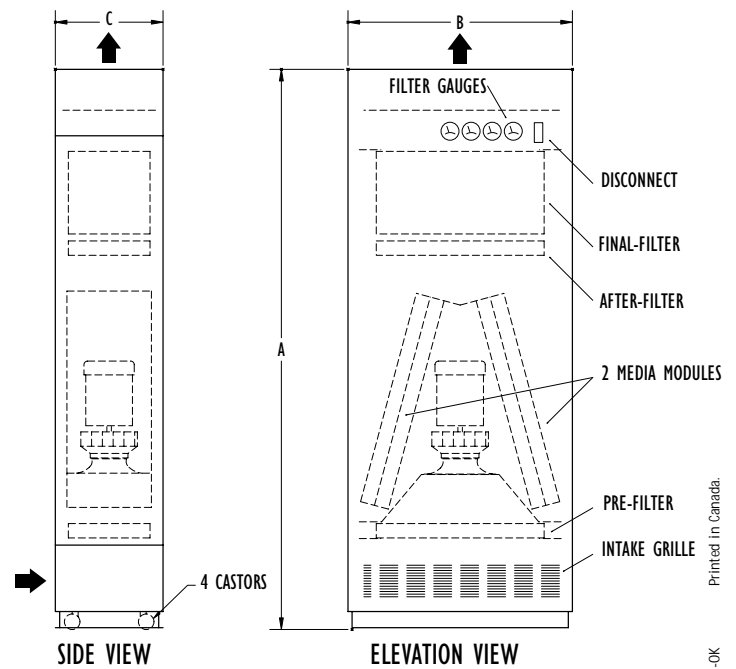
# A.P.S. SPECIFICATION DATA

SPECIFICATIONS		
MODEL	VERTICAL A.P.S.-500-V	HORIZONTAL A.P.S.-500-H
DIMENSIONS (APPROX. INCHES)	A x B x C 78" x 31 1/4" x 15"	A x B x C 75 1/2" x 31 1/4" x 15"
APPROXIMATE WEIGHT*	320 lb.	310 lb.
AIR FLOW CAPACITY	200 to 650 CFM	
MOTOR	1/2 HP	
APPROXIMATE NOISE LEVEL**	57 dBA	
OPTIONAL FEATURES	<ul style="list-style-type: none"> <li>• Individual filter gauges</li> <li>• Dampers (manual or automatic)</li> <li>• Various ducted connections</li> <li>• Double deflection grills</li> </ul>	<ul style="list-style-type: none"> <li>• Weatherized housing for outdoors</li> <li>• NEMA-rated disconnects</li> <li>• Aluminum galvanized, or stainless steel housing</li> <li>• TEFC motor (corrosive environments)</li> </ul>

\* This weight does not include media.  
Media weight is approximately 70 lb.  
\*\* dBA of 5' distance from unit.  
NOTE: 50 Hz motors available.



**HORIZONTAL MODEL**



**VERTICAL MODEL**

Printed In Canada

LTT.001.02-CA0103-0K



*Circul-Aire is a subsidiary of Dectron Internationale*

Circul-Aire reserves the right to make any changes in the design or specifications of any product at any time without notice.

USA  
10935 Crabapple Road  
Suite 202-A Roswell  
Georgia 30075  
1-888-332-8766  
Fax: (514) 337-3336

CANADA  
3999 Cote Vertu  
Montreal (Quebec)  
Canada H4R 1R2  
Tel.: (514) 336-3330  
1-800-800-1868  
Fax: (514) 337-3336



designer indoor air®

www.circul-aire.com