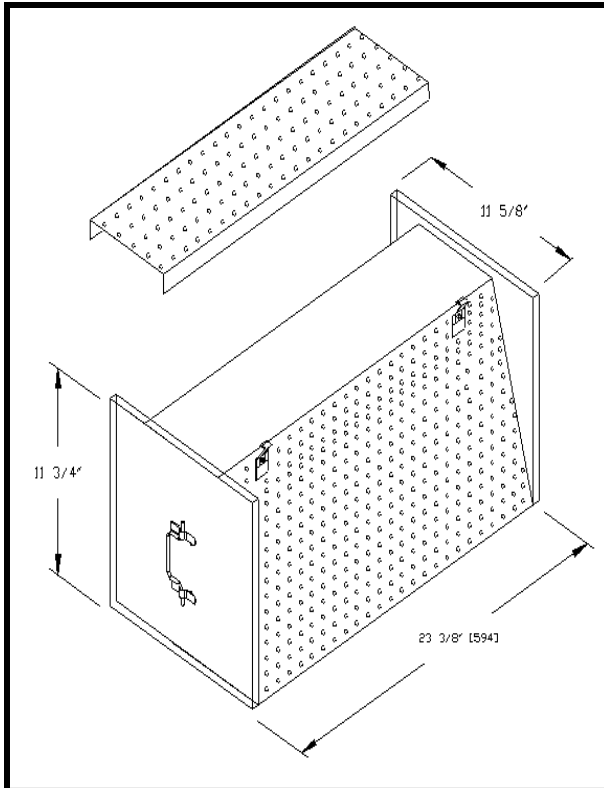


Specification

MM-12D Module (Steel Series)



MM-12D MEDIA HOLDING MODULE ULC CL 1 LISTED

The MM modules are perforated metal containers, engineered to provide maximum air contact with the gas phase chemical media at a minimum pressure drop. The MM Modules can be constructed of 24 ga. perforated satin coated steel or 316L stainless steel with 20 ga. side plates depending on the application. An added feature of the MM module is a removable panel cover running the full depth of the module for ease of media loading, and is secured utilizing quick release snap fasteners eliminating the requirement for hand tools for media servicing. The MM Modules are fabricated with a distinct "V" configuration to provide the optimal results.

APPLICATIONS: The MM-Modules offer ultimate design versatility in media bed depth, residence time and static pressure performance and are the modular buildings blocks which are incorporated into most CIRCUL-AIRE packages or can be supplied in MC holding cells for retrofit applications. The MM Modules are listed Class 1, by Underwriters Laboratories of Canada.

Table of Module Characteristics:

MODULE TYPE	NOMANAL SIZE (in)	BED DEPTH	MEDIA VOLUME	FACE AREA
MM-12D	12H X 12W X 24D	3" DEEP	1 ft ³	2 ft ² "V" Configuration

Table of Module Air Flow Characteristics for MM-12D with media

Media Type	Duct Velocity		Module Airflow		Residence Time (T _R)	Pressure Drop	
	M/s	FPM	M ³ /hr	CFM	sec	IWG	Pa
MM-1000 MM-1100 Weight (Media & Module): 55 lbs	1.27	250	850	500	0.12	0.88	220
	1.02	200	680	400	0.15	0.61	152
	0.76	150	510	300	0.20	0.38	96
	0.51	100	340	200	0.30	0.20	51
	0.38	75	255	150	0.40	0.13	33
MM-3000 MM-7000 MM-9000 Weight (Media & Module): 36 lbs	1.27	250	850	500	0.12	1.74	434
	1.02	200	680	400	0.15	1.20	299
	0.76	150	510	300	0.20	0.76	188
	0.51	100	340	200	0.30	0.40	101
	0.38	75	255	150	0.40	0.26	65
MM-1355 MM-1755 MM-1955 Weight (Media & Module): 46 lbs	1.27	250	850	500	0.12	1.31	327
	1.02	200	680	400	0.15	0.91	226
	0.76	150	510	300	0.20	0.57	142
	0.51	100	340	200	0.30	0.30	76
	0.38	75	255	150	0.40	0.20	49



3999 Côte Vertu, Montreal, QC, Canada, H4R-1R2
Tel: (514) 337-3331; (514) 337-3336