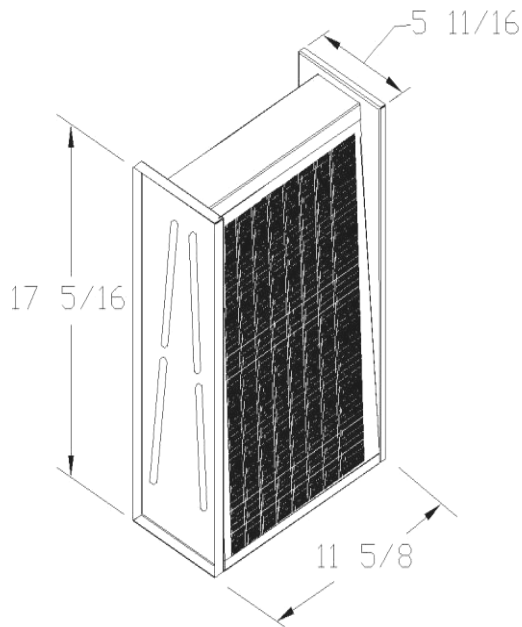


## Specification

## MM-18P 1/2 Module (Plastic Series)



**MM-18P 1/2 PLASTIC MODULES**

### PLASTIC MM-18P 1/2 MEDIA MODULE

The MM modules are constructed of plastic polystyrene, engineered to provide maximum air contact with the gas phase chemical media at a minimum pressure drop. An added feature of the Multi Media Module is a removable plastic fill cap running one side of the module for media loading, and is secured by pressing down. The MM Modules are fabricated with a distinct "V" configuration to provide the optimal results.

**APPLICATIONS:** The MM-Modules offer ultimate design versatility in media bed depth, residence time and static pressure performance and are the modular buildings blocks which are incorporated into most CIRCUL-AIRE packages or can be supplied in MC holding cells for retrofit applications.

*Table of Module Characteristics:*

MODULE TYPE	NOMANAL SIZE (in)	BED DEPTH	MEDIA VOLUME	FACE AREA
MM-18P 1/2	18H X 6W X 12D	1" DEEP	0.2 ft <sup>3</sup>	0.5 ft <sup>2</sup> "V" Configuration

*Table of Module Air Flow Characteristics for Plastic MM-18P 1/2 with media*

Media Type	Duct Velocity		Module Airflow		Residence Time (T <sub>R</sub> )	Pressure Drop	
	M/s	FPM	M <sup>3</sup> /hr	CFM	sec	IWG	Pa
MM-1000 MM-1100	2.54	500	425	250	0.05	0.40	100
	2.03	400	340	200	0.06	0.27	68
	1.52	300	255	150	0.08	0.18	45
	1.02	200	170	100	0.12	0.09	23
	0.51	100	85	50	0.24	0.05	13
MM-3000 MM-7000 MM-9000	2.54	500	425	250	0.05	0.54	135
	2.03	400	340	200	0.06	0.40	100
	1.52	300	255	150	0.08	0.27	68
	1.02	200	170	100	0.12	0.18	45
	0.51	100	85	50	0.24	0.09	23
MM-1355 MM-1755 MM-1955	2.54	500	425	250	0.05	0.45	113
	2.03	400	340	200	0.06	0.27	68
	1.52	300	255	150	0.08	0.18	45
	1.02	200	170	100	0.12	0.09	23
	0.51	100	85	50	0.24	0.05	13