

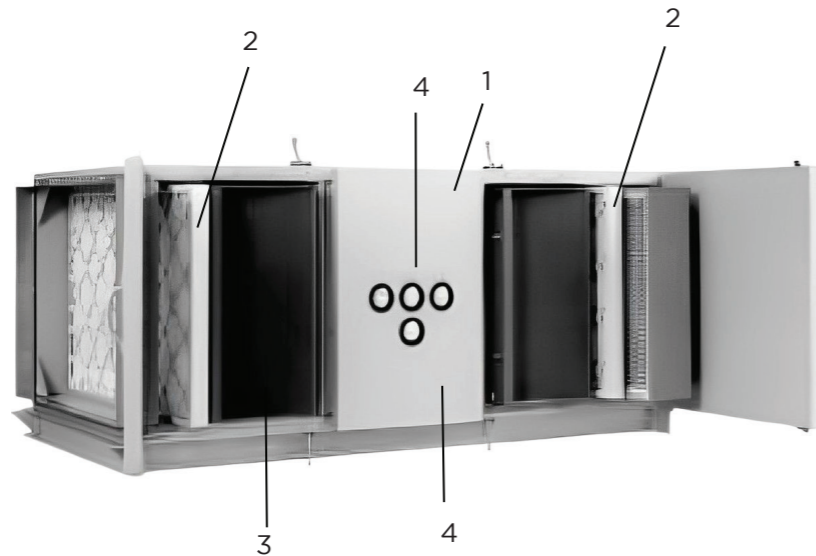
AIR PURIFICATION SYSTEM TYPE: APS-1000/3000

HORIZONTAL MODELS



- EASY ACCESS TO FILTERS**
 The filters and modules can be inspected and replaced in an instant by opening the access doors.
- QUIET OPERATION FOR NOISE SENSITIVE ENVIRONMENTS**
 Insulated double-wall construction ensures quiet unit operation.

PRODUCT FEATURE



- Insulated double-wall panel construction. Corrosion resistant polyurethane enamel paint.
- 30% efficiency filters for larger particulates.
- Up to three MULTI-MIX® media stages for odors and gases.
- Supply and return deflection grills with optional integral manual damper.

INTRODUCTION

- MULTI-STAGE FILTRATION**
 Circul-Aire's advanced technology of gas phase and particulate filtration offers maximum contaminant control efficiency. The multi-stage design allows for selection of the required filters in a specific sequence to meet the requirements of each application.
- VERTICAL OR HORIZONTAL MODELS**
 The A.P.S. is available for vertical or horizontal air flow patterns with or without plenums.
- OPTIONAL INTAKE AND DISCHARGE**
 Intake and discharge openings can be located on the top, at the bottom, or on any side of the unit to suit various air flow patterns.
- RECIRCULATION OR PRESSURIZATION**
 Circul-Aire's A.P.S. can be engineered for recirculation as well as pressurization applications.

VERTICAL MODELS

A.P.S. MODELS	AIR FLOW RANGE		STAGES OF MEDIA	OVERALL DIMENSIONS						OPERATING WEIGHT*	
				H		W		D			
	CFM	m ³ /h		in.	mm	in.	mm	in.	mm	lb.	kg
A.P.S.-1000-V	500 to 1200	850 to 2039	1 OR 2	87.0	2210	27.0	686	27.0	686	650 Or 750	295 Or 340
			3	101.0	2565	27.0	686	27.0	686	900	408
A.P.S.-1500-V	1300 to 1700	2209 to 2889	1 OR 2	87.0	2210	39.0	991	27.0	686	825 Or 975	374 Or 442
			3	101.0	2565	39.0	991	27.0	686	1200	544
A.P.S.-2000-V	1800 to 2200	3059 to 3738	1 OR 2	87.0	2210	54.0	1372	27.0	686	1250 Or 1650	567 Or 748
			3	101.0	2565	54.0	1372	27.0	686	2100	952
A.P.S.-3000-V	2800 to 3200	4758 to 5437	1 OR 2	102.0	2591	54.0	1372	39.0	991	1675 Or 2275	760 Or 1031
			3	118.0	2997	54.0	1372	39.0	991	2925	1326

A.P.S. PERFORMANCE DATA

A.P.S. MODELS	VOLTAGES	HORSEPOWER		FULL LOAD RPM
		HP	kW	
A.P.S.-1000	575/3/60	1.0	0.75	1700
A.P.S.-1500	460/3/60	1.5	1.1	1700
A.P.S.-2000	230/240/3/60	2.0	1.5	1710
A.P.S.-3000	230/240/3/60	3.0	2.2	1740
A.P.S.-1000	230/240/1/60	1.0	0.75	1755
A.P.S.-1500	115/1/60	1.5	1.1	1735

A.P.S. APPLICATIONS AND SERVICES

SECTORS	APPLICATIONS	AREAS	
Health	Contaminant Control	<ul style="list-style-type: none"> Operating & autopsy rooms Medical research centers Laboratories 	<ul style="list-style-type: none"> Daycare centers Cafeterias Smoking rooms Senior citizens homes
Educational	Air Quality Control	<ul style="list-style-type: none"> Classrooms Locker rooms 	<ul style="list-style-type: none"> Sport facilities Cafeterias
Industrial	Corrosion & Odor Control	<ul style="list-style-type: none"> Computer rooms Rack rooms Clarifiers 	<ul style="list-style-type: none"> Digesters Exhaust Processor areas
Museums & Art Galleries	Preservation of Artifacts	<ul style="list-style-type: none"> Exhibition halls Archives 	<ul style="list-style-type: none"> Libraries Restricted storage areas Public museums & art galleries

MULTI-MIX® MEDIA & TECH-CHEK™ SERVICE

Circul-Aire's MULTI-MIX® is a proven filter media which provides continuous purification of corrosive, odorous and toxic contaminants in industrial and commercial environments. MULTI-MIX® media combines the adsorption properties of activated carbon with the oxidation properties of chemically impregnated alumina. For more information on MULTI-MIX® media, refer to our brochures on this product.

Media analysis through our TECH-CHEK™ Program ensures maximum efficiency of our products. A complete computerized report establishes media replacement schedule for each unit. Circul-Aire's laboratory can also provide additional performance tests for specific air contaminants.