

UNIVERSAL SIDE ACCESS HOUSING TYPE: USAH



COMPLETE AIR FILTRATION HOUSING

Circul-Aire's USAH Universal Side Access Housing System offers all the advantages of a conventional side access housing unit: total flexibility in the selection and combination of particulate filter elements, more productive use of mechanical space, greater ease of servicing, reduced maintenance costs, more enhanced air quality.

Maximum versatility in the selection of gas phase filter elements allows the designer to choose among a broad range of specially-formulated MULTI-MIX filter elements to meet the precise needs of each installation.

The USAH Universal Side Access Housing System offers total design flexibility for the control of particulate noncrimnals as well as gaseous contaminants.

FEATURES

- 1. COMPLETELY FACTORY ASSEMBLED**
The USAH is shipped ready to be installed. No field assembly is required.
- 2. RUGGED CONSTRUCTION**
Fabricated of 1.6 mm (16 gauge) zinc-coated steel protected by a three coat corrosion resistant paint, standard housing features a Pena-post frame design reinforced by a study U-channel base for structural rigidity and maximum operating life.
- 3. FILTER MOUNTING TRACK**
The USAH features an extruded aluminum filter mounting track incorporating a nylon pile seal to prevent air bypass. A wide variety of optional tracking sizes makes it possible to accept virtually any specified configuration of filter elements within the unit.
- 4. SIZE FLEXIBILITY**
A wide range of available sizes allows the USAH to be tailored to the needs of a customer's air handing system, regardless of the system capacity.
- 5. GASEOUS FILTRATION MODULES**
MM modules are constructed of 24 gauge perforated steel with a corrosion-resistant paint finish. Each removable module includes quick-release access plates which require no service tools. Stainless steel modules available on request.
- 6. SEALING INTEGRITY**
Positive seal is accomplished by providing neoprene foam seals on all doors, nylon pile seals on media filter tracks and leak proof silicone sealant on all mating joints.

- 7. EASY MAINTENANCE**
Heavy-duty side access doors employ quick release latches to facilitate filter inspection and change out.
- 8. TECH-CHEK SERVICE**
Regular laboratory analysis of MULTI-MIX media sample (forwarded by the owner) are provided at no extra charge to establish precise media life cycles.

OPTIONS

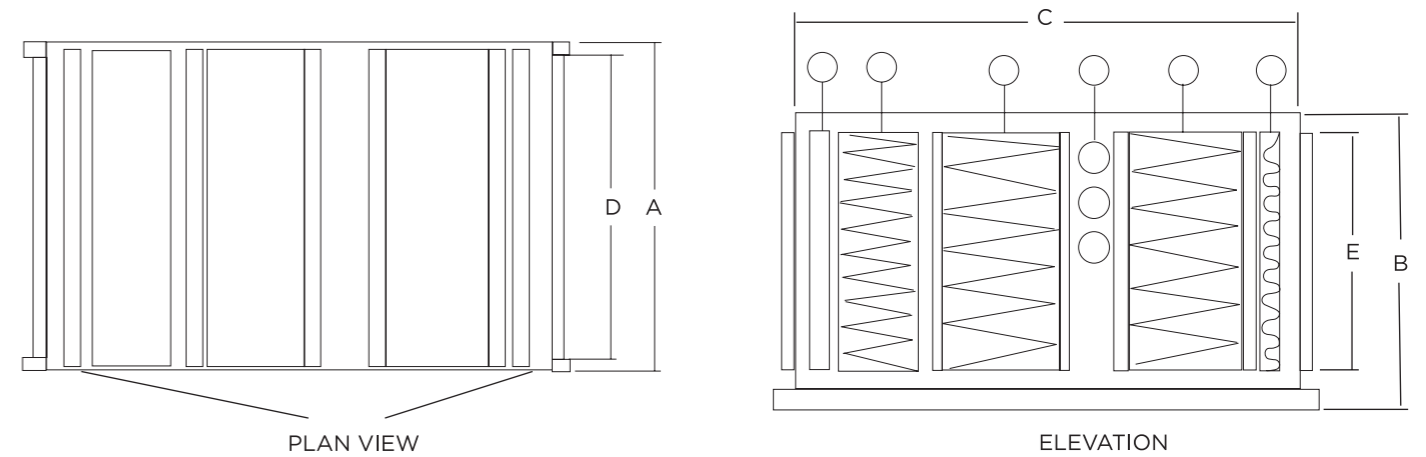
FILTER

- 20% - 30% (ASHRAE*) efficiency particulate pre-filters.
- 0% - 90% (ASHRAE*) efficiency particulate intermediate filters.
- Rigid, deep bag or high efficiency (99.9% ASHRAE*) HEPA filters.
- Inertial separators as pre-filters for high dust loading applications.

MEDIA

- Various media formulations to meet specific gaseous contaminant removal requirements

TYPICAL FILTER COMBINATIONS (examples)



SEQUENCE:

- 2P Prefilter section
- 12P Intermediate filter section - cell type
- 18M Filter section - MULTI-MIX™ - 1st stage
- 18M Filter section - MULTI-MIX™ - 2nd stage
- 2P After filter section - MULTI-V type
- Filter gauges (DPMS)

DIMENSIONS - MODEL USAH

SIZE	CFM	A	B	C	D	E	Weight (lb)
102	1000	28	18	52	72	22	340
104	2000	50	18	52	72	46	650
202	2000	26	30	52	72	22	600
204	4000	50	30	52	72	46	1100
402	4000	26	54	52	72	22	1100
404	8000	50	54	52	72	46	2100
406	12000	74	54	52	72	70	3100
408	16000	98	54	52	72	94	4050
604	12000	50	78	52	72	46	3100
606	18000	74	78	52	72	70	606

** Single Stage *** Two Stage

* American Society of Heating, Refrigerating and Air-Conditioning Engineers.

Note: All dimensions approximate. Select multiple units above these sizes or contact Head Office for special components, applications or capacities

APPLICATIONS

STAGE	COMPONENTS		
	COMMERCIAL OFFICE BUILDING	HOSPITAL	PULP & PAPER MIL
1	30% preliminary particulate filter	30% preliminary particulate filter	30% preliminary particulate filter
2	90% intermediate particulate filter	90% intermediate particulate filter-12	90% intermediate particulate filter
3	MULTI-MIX™ -1000 gas phase media	MULTI-MIX™ -1000 gas phase media	MULTI-MIX™ -9000 gas phase media
4	MULTI-MIX™ -3000 gas phase media	MULTI-MIX™ -3000 gas phase media	MULTI-MIX™ -1000 gas phase media
5	30% final particulate filter	30% final particulate filter	30% final particulate filter
6		99.9% absolute filter-12	